



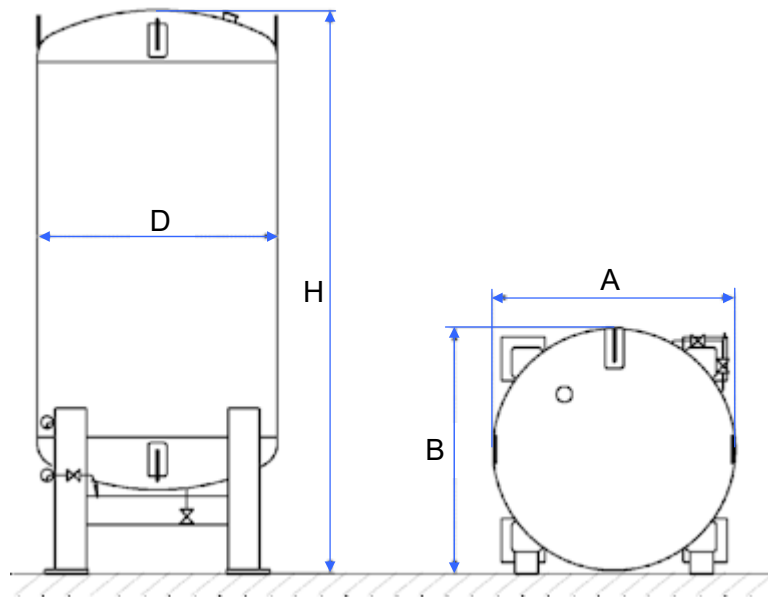
CryoTank Storage tank for liquid nitrogen

1/1
Rev. 08/19

We reserve the rights for this elaboration according to DIN ISO 16016. Any depicted design corresponds to the current state of technology. Alterations to this embodiment will void validity.

Application CryoTank is a stationary storage tank for the safe storage and withdrawal of deep-cold, liquified nitrogen. The employment of a storage tank type VT 2 is recommended starting from a monthly liquid nitrogen consumption of 1.000 litres. Starting from a monthly consumption of 10.000 litres the storage tank type VT 11 is recommended.

Structure



Description The storage tank consists of an inner pressure tank of cold-resistant material, which is centrally installed in an outer container of carbon steel. The gap is filled with powdered insulation material (perlite) and evacuated for cooling insulation. The pressure control can be handled through a mechanical pressure control valve or, in case of pure liquid withdrawal, can be controlled electromechanically, by the control system CryoServer. Valve bodies are made of stainless steel, all connections are welded.

Techn. Data

Typ	VT	2	3	5	6	11
Gross volume	l	2.000	3.400	4.700	7.000	11.200
Net capacity (95% filling)	%/d	1.900	3.200	4.500	5.800	10.600
max. operating pressure	bar	6	6	6	6	6
LIN evaporation rate	mm	0,45	0,39	0,29	0,28	0,23
Weight, empty	mm	2.700	3.400	4.000	4.700	7.000
Weight, filling LIN	mm	1.540	2.590	3.640	4.690	8.560
Weight, overall	kg	4.240	6.590	7.640	9.390	15.560
Dimensions						
H	mm	3.140	3.940	4.960	5.770	6.100
D	mm	1.800	1.800	1.800	1.800	2.200
A	mm	2.050	2.050	2.050	2.050	2.200
B	mm	2.100	2.100	2.100	2.100	2.240